



hexagon



cirlux



quadlux

the 'trio' range of bulkheads sets new standards in public lighting

The new Trio range of slim-line bulkheads from Coughtrie Lighting confirms that tough, functional public lighting can also be stylish, attractive and make a positive design contribution.

Available in three distinctive shapes, the sleek bulkheads epitomise design simplicity and set new standards for cost-effective, multi-application luminaires. They are aimed at both internal and external general lighting applications in the public and private sector and will harmonise with either traditional or contemporary environments.

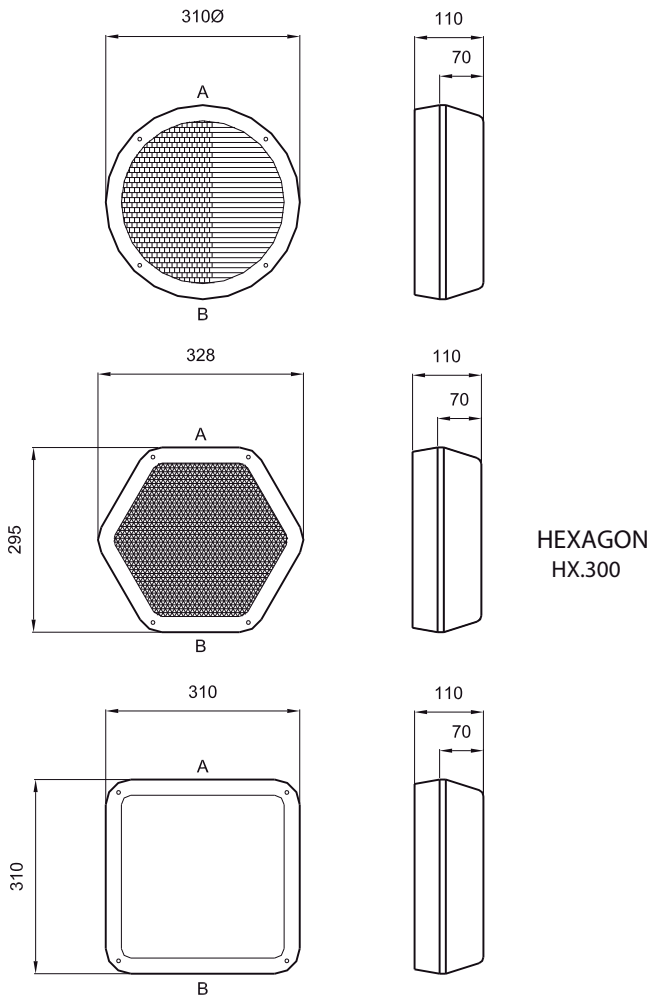


for more details, call
or visit our website

0141- 882 3262
www.coughtrie.com

Compact Fluorescent

trio cx300, hx300 & qx300



a trio of luminaires giving excellent long term value

trio in ceiling



CIRLUX
CXB.300



HEXAGON
HXB.300



QUADLUX
QXB.300

Order references (select from *) - for recessed ceiling version add suffix B - e.g. CXB, HXB, QXB										
Ftg*	Lamp Opt.	Ref*	Finish	Ref*	Diffuser	Ref*	Circuit	Ref*	Entry	Ref*
CX.300- HX.300- QX.300-	16W 2D 21W 2D 28W 2D 38W 2D 55W 2D 2x11W PL 2x18W L	16/ 21/ 28/ 38/ 55/ 211/ 218L/	Black Text. (Standard) White Text. White Gloss Grey Gloss Silver Alum. (+ Lacquer)	B/ W/ WG/ G/ RL.9006/	Clear Prism. Opal Prism. Secret head screws Key for secret head screws	CL/ OP/ CL.SS/ OP.SS/ WS.7115	HF+Lamp EHF+Lamp Cap+ Lamp	HF+L/ EHF+L/ C+L/	AB 20mm Back only	AB BK
CX.300-	22W T5 Circ.	22C/					HF+Lamp	HF+L/		

Examples : 28W 2D Quadlux, White Textured, Clear Prismatic, with lamp, Back entry - Order Code = QX.300-28/W/CLFR/HF+L/BK
 28W 2D Quadlux with recess bezel, White Text., Clear Prism., with lamp, Back entry - Order Code = QXB.300-28/W/CLFR/HF+L/BK

Self contained EMERGENCY Order references (select from *) - for recessed ceiling version add suffix B - e.g. CXB, HXB, QXB										
Ftg*	Lamp Opt.	Ref*	Finish	Ref*	Diffuser	Ref*	Circuit	Ref*	Entry	Ref*
CX.300- HX.300- QX.300-	16W 2D Maint. 21W 2D Maint. 28W 2D Maint. 38W 2D Maint. 11W PL Mains+ 11W PL Maint.	16-3M3/ 21-3M4/ 28-3M4/ 38-3M4/ 11M-13M3/	Black Text. (Standard) White Text. White Gloss Grey Gloss Silver Alum. (+ Lacquer)	B/ W/ WG/ G/ RL.9006/	Clear Prism. Opal Prism. Secret head screws Key for secret head screws	CLFR/ OPFR/ CLFR.SS/ OPFR.SS/ WS.7115	HF+Lamp EHF+Lamp Cap+Lamp	HF+L/ EHF+L/ C+L/	AB 20mm Back only	AB BK

Examples : 38W 2D Hexagon, Black, Opal, AB Entry, 3Hr Maint. - Order Code = HX.300-38-3M4/B/OPFR/HF+L/AB

FREE LIGHTING
DESIGN SERVICE



L



2D



Circ. T5



F



PL



IP.659
IK.10



CE



E



White
Text.



Black
Text.



Grey
Gloss



Silver Alum.
+ Lacquer